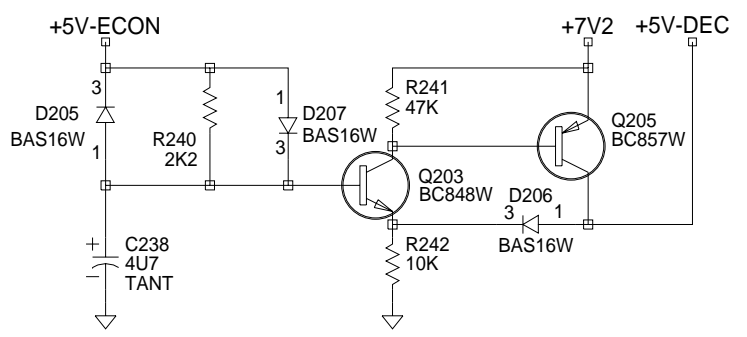
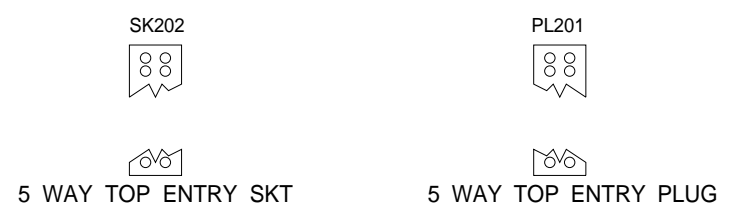


* LOW BAND / HIGH BAND
 ==> REFER TO VARIANTS SHEET.

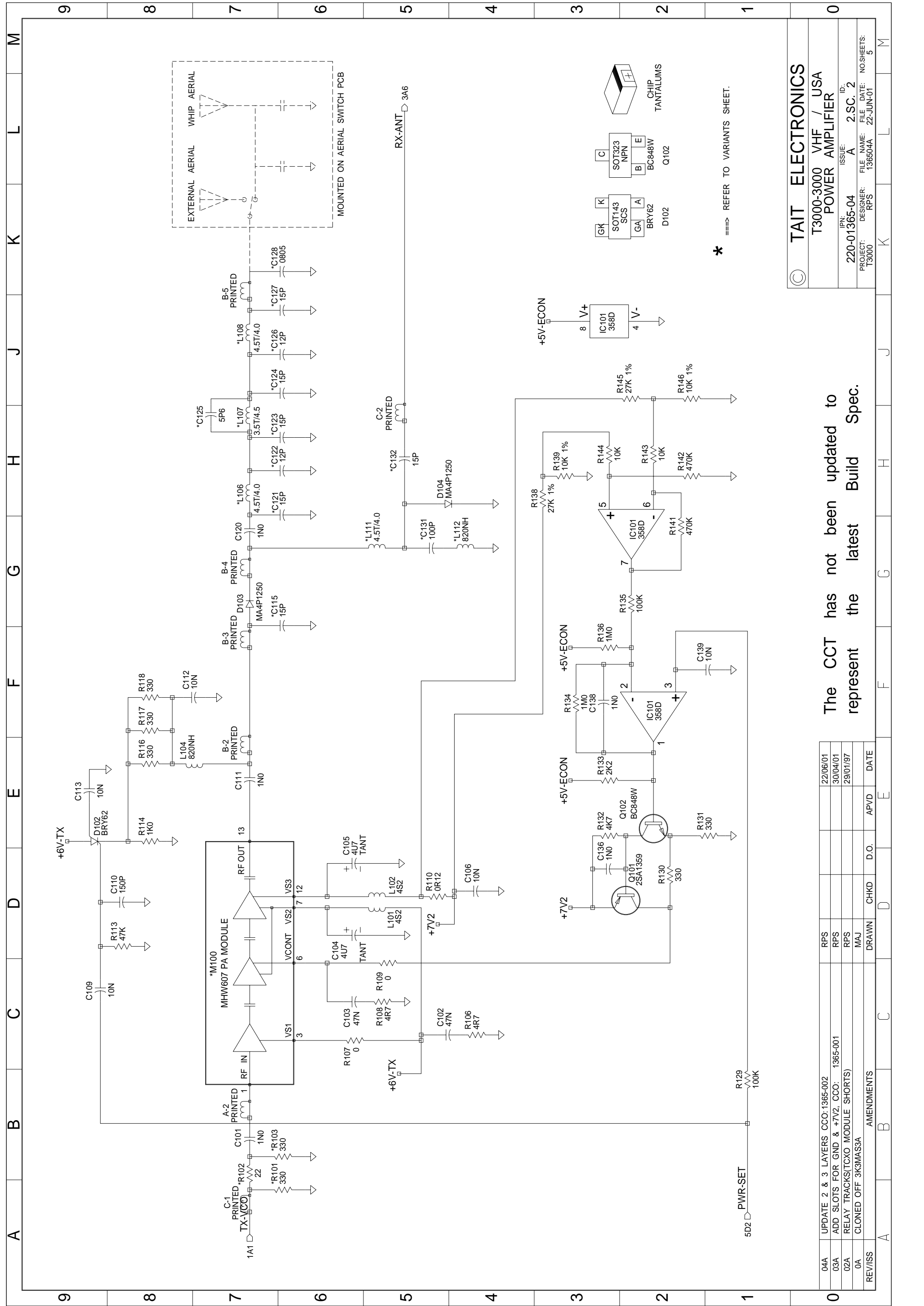
- SOT23 NPN
 BFS17
 Q201
- SOT323 NPN
 BC848W
 Q203
- SOT323 PNP
 BC857W
 Q205
- SOT323 DIODE
 BAS16W
 D201 D204
 D205 D206
 D207
- SOD323 VARICAP
 BB639
 D202
 D203
- CHIP TANTALUMS

The CCT has not been updated to represent the latest Build Spec.

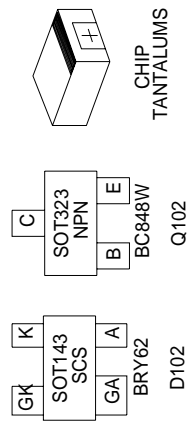


04A	UPDATE 2 & 3 LAYERS CCO: 1365-002	RPS			22/06/01
03A	ADD SLOTS FOR GND & +7V2, CCO: 1365-001	RPS			30/04/01
02A	RELAY TRACKS(TCXO MODULE SHORTS)	RPS			05/02/97
0A	CLONED OFF 3K3MAS3A	MAJ			
REV/ISS	AMENDMENTS	DRAWN	CHKD	D.O.	APVD DATE

© TAIT ELECTRONICS
 T3000-3000 VHF / USA
 SYNTHESISER
 IPN: 220-01365-04 ISSUE: A ID: 2.S.C. 1
 PROJECT: T3000 DESIGNER: RPS FILE NAME: 136504A FILE DATE: 22-JUN-01 NO.SHEETS: 5



* ==> REFER TO VARIANTS SHEET.



REV/ISS	AMENDMENTS	CHKD	D.O.	APVD	DATE
04A	UPDATE 2 & 3 LAYERS CCO:1365-002	RPS			22/06/01
03A	ADD SLOTS FOR GND & +7V2, CCO: 1365-001	RPS			30/04/01
02A	RELAY TRACKS(TCXO MODULE SHORTS)	RPS			29/01/97
0A	CLONED OFF 3K3MASSA	MAJ			

The CCT has not been updated to represent the latest Build Spec.

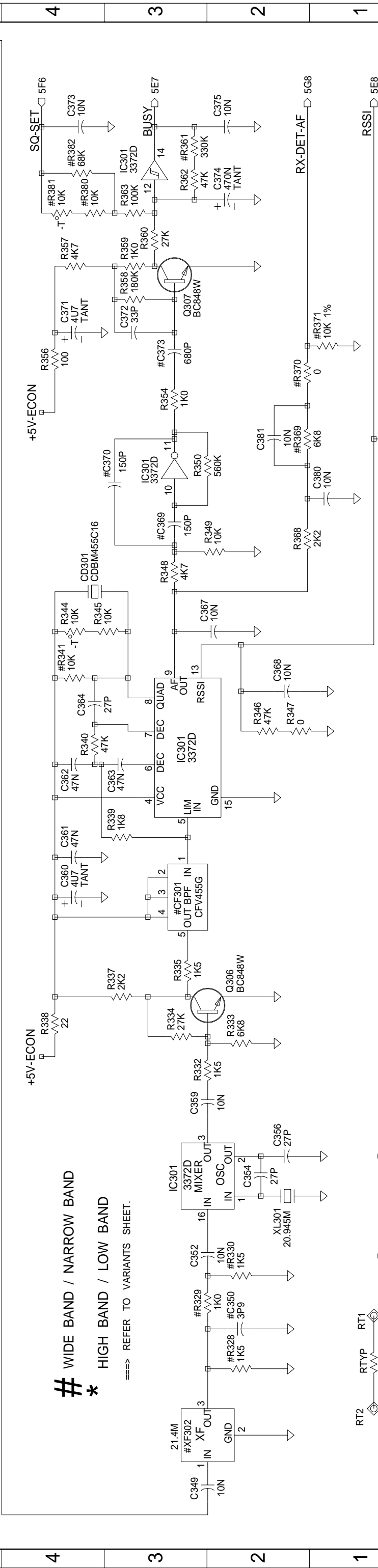
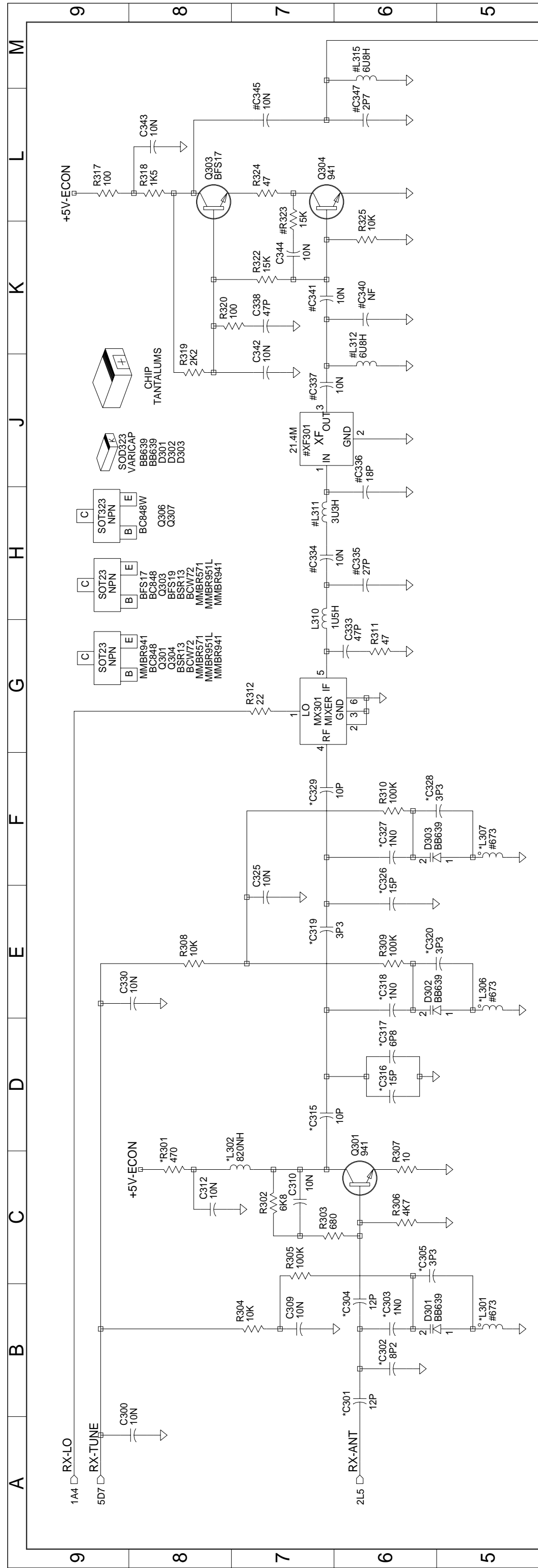
© TAIT ELECTRONICS

T3000-3000 VHF / USA
POWER AMPLIFIER

IPN: 220-01365-04
ISSUE: A 2.S.C. 2
PROJECT: T3000
DESIGNER: RPS
FILE NAME: 136504A
DATE: 22-JUN-01
NO SHEETS: 5

A B C D E F G H J K L M

9 8 7 6 5 4 3 2 1 0



WIDE BAND / NARROW BAND
*** HIGH BAND / LOW BAND**
 ==> REFER TO VARIANTS SHEET.

The CCT has not been updated to represent the latest Build Spec.

C383 PLACED IN THE SYNTHCOMPARTMENT

TAIT ELECTRONICS
 T3000-3000 VHF / USA RECEIVER

ISSUE: **A** ID: **2.S.C. 3**
 IPN: **220-01365-04**
 PROJECT: **T3000** DESIGNER: **RPS** FILE NAME: **136504A** DATE: **22-JUN-01** NO. SHEETS: **5**

REV/ISS	AMENDMENTS	CHKD	D.O.	APVD	DATE
04A	UPDATE 2 & 3 LAYERS CCO:1365-002	RPS			22/06/01
03A	ADD SLOTS FOR GND & +7V2, CCO: 1365-001	RPS			30/04/01
02A	RELAY TRACKS(TCXO MODULE SHORTS)	RPS			29/01/97
0A	CLONED OFF 3K3MASSA	MAJ			

A B C D E F G H J K L M

9 8 7 6 5 4 3 2 1 0

9 8 7 6 5 4 3 2 1 0

P.A.

- * LOW BAND / HIGH BAND
- 31X3
- 41X3
- 32X3
- 42X3

SYNTHESISER

- * LOW BAND / HIGH BAND
- 31X3
- 41X3
- 32X3
- 42X3

RECEIVER

- * LOW BAND / HIGH BAND
- 31X3
- 41X3
- 32X3
- 42X3

- # DUAL BAND WIDE BAND
- XX03
- NARROWBAND GERMANBAND
- XX23
- XX33

	*FREQ_MHZ	*C115	*C121	*C122	*C123	*C124	*C125	*C126	*C127	*C128	*C131	*C132
T3000-31X3	136-154	15PS200	15PS200	12PS200	15PS200	15PS200	5P6S200	12PS200	15PS200	15PS200	100PJ	15PJ
T3000-32X3	146-174	15PS200	15PS200	12PS200	15PS200	15PS200	6P8S200	12PS200	15PS200	-	100PJ	15PJ
T3000-41X3	174-195	12PS200	12PS200	6P8S200	15PS200	15PS200	3P3S200	6P8S200	12PS200	-	12PJ	12PJ
T3000-42X3	184-208	12PS200	12PS200	6P8S200	15PS200	15PS200	2P7S200	6P8S200	12PS200	-	12PJ	12PJ

	FREQ_MHZ	*L106	*L107	*L108	*L111	*L112	*R101	*R102	*R103	*M100
T3000-31X3	136-154	45H40A	35H45A	45H40A	45H40A	820NHU2	330J	22J	330J	MHW607-1
T3000-32X3	146-174	55H30A	35H35A	45H35A	35H45A	820NHU2	330J	22J	330J	MHW607-2
T3000-41X3	174-195	45H30A	55H25A	35H40A	35H40A	330NHU	150J	47J	150J	MHW607-3
T3000-42X3	184-208	45H30A	55H25A	35H40A	35H40A	330NHU	150J	47J	150J	MHW607-4

	FREQ_MHZ	*R224
T3000-31X3	136-154	3K3S
T3000-32X3	146-174	3K3S
T3000-41X3	174-195	3K9S
T3000-42X3	184-208	3K9S

PACKAGECODES

- *J 0603 CHIP
- *S200 0805 200V CHIP CAP
- *S1 0805 1% CHIP RES
- *S 0805 CHIP
- *T 1206 CHIP
- *U 1210 CHIP INDUCTOR

	FREQ_MHZ	*C301	*C302	*C303	*C304	*C305	*C315	*C316	*C317	*C318	*C319	*C320	*C326	*C327	*C328	*C329
T3000-31X3	136-154	12PJ	8P2J	1N0J	12PJ	3P3J	10PJ	15PJ	6P8J	1N0J	3P3J	150PS	15PJ	1N0J	3P3J	10PJ
T3000-32X3	146-174	18PJ	15PJ	1N0J	18PJ	1P8J	8P2J	18PJ	6P8J	1N0J	3P3J	120PS	18PJ	1N0J	1P8J	8P2J
T3000-41X3	174-195	18PJ	18PJ	150PJ	18PJ	2P7J	10PJ	22PJ	4P7J	150PJ	4P7J	120PS	150PJ	1P0J	10PJ	10PJ
T3000-42X3	184-208	18PJ	18PJ	150PJ	18PJ	2P7J	10PJ	22PJ	4P7J	150PJ	4P7J	120PS	150PJ	1P0J	10PJ	10PJ

	FREQ_MHZ	*L301	*L302	*L306	*L307	*R301
T3000-31X3	136-154	673	820NHU2	673	673	470S
T3000-32X3	146-174	672	820NHU2	672	672	470S
T3000-41X3	174-195	671	330NHU	671	671	560S
T3000-42X3	184-208	671	330NHU	671	671	560S

	#BANDWIDTH	#C334	#C335	#C336	#C337	#C340	#C341	#C345	#C347	#C350	#C369	#C370	#C373
T3000-XX23	7.5KHZ	10NJ	27PJ	18PJ	10NJ	-	10NJ	10NJ	2P7J	3P9J	150PS	150PS	680PS
T3000-XX13	15KHZ	100PJ	27PJ	12PJ	10NJ	1P8J	22PJ	10PJ	3P3J	-	120PS	120PS	180PS
T3000-XX33	12KHZ	10NJ	27PJ	15PJ	10NJ	5P6J	10NJ	10NJ	1P8J	2P7J	120PS	120PS	180PS
T3000-XX03	DUAL	10NJ	27PJ	18PJ	10NJ	-	10NJ	10NJ	2P7J	3P9J	120PS	120PS	680PS

	BANDWIDTH	#R323	#R328	#R329	#R330	#R341	#R361	#R369	#R370	#R371	#R380	#R381	#R382
T3000-XX23	7.5KHZ	15KJ	1K5J	1K0J	1K5J	10KJ	330KS	6K8S	0S	10KS1	10KJ	10KSNTC	68KS
T3000-XX13	15KHZ	10KJ	3K3J	2K2J	4K7J	4K7J	560KS	4K7S	1K5S	10KS1	-	-	22KS
T3000-XX33	12KHZ	15KJ	1K5J	1K0J	1K5J	6K8J	820KS	6K8S	4K7S	10KS1	10KJ	10KSNTC	47KS
T3000-XX03	DUAL	15KJ	1K5J	1K0J	1K5J	4K7J	330KS	6K8S	0S	10KS1	10KJ	10KSNTC	68KS

	BANDWIDTH	#L311	#L312	#L315	#XF301	#XF302	#CF301
T3000-XX23	7.5KHZ	33NHU	-	-	21N7.5A	21N7.5A	CFV455G
T3000-XX13	15KHZ	3U3HU2	6U8HU2	6U8HU2	21N15A	21N15A	CFV455D
T3000-XX33	12KHZ	820NHU2	6U8HU2	-	21N12A	21N12A	CFV455E
T3000-XX03	DUAL	33NHU	-	-	21N7.5A	21N7.5A	CFV455G

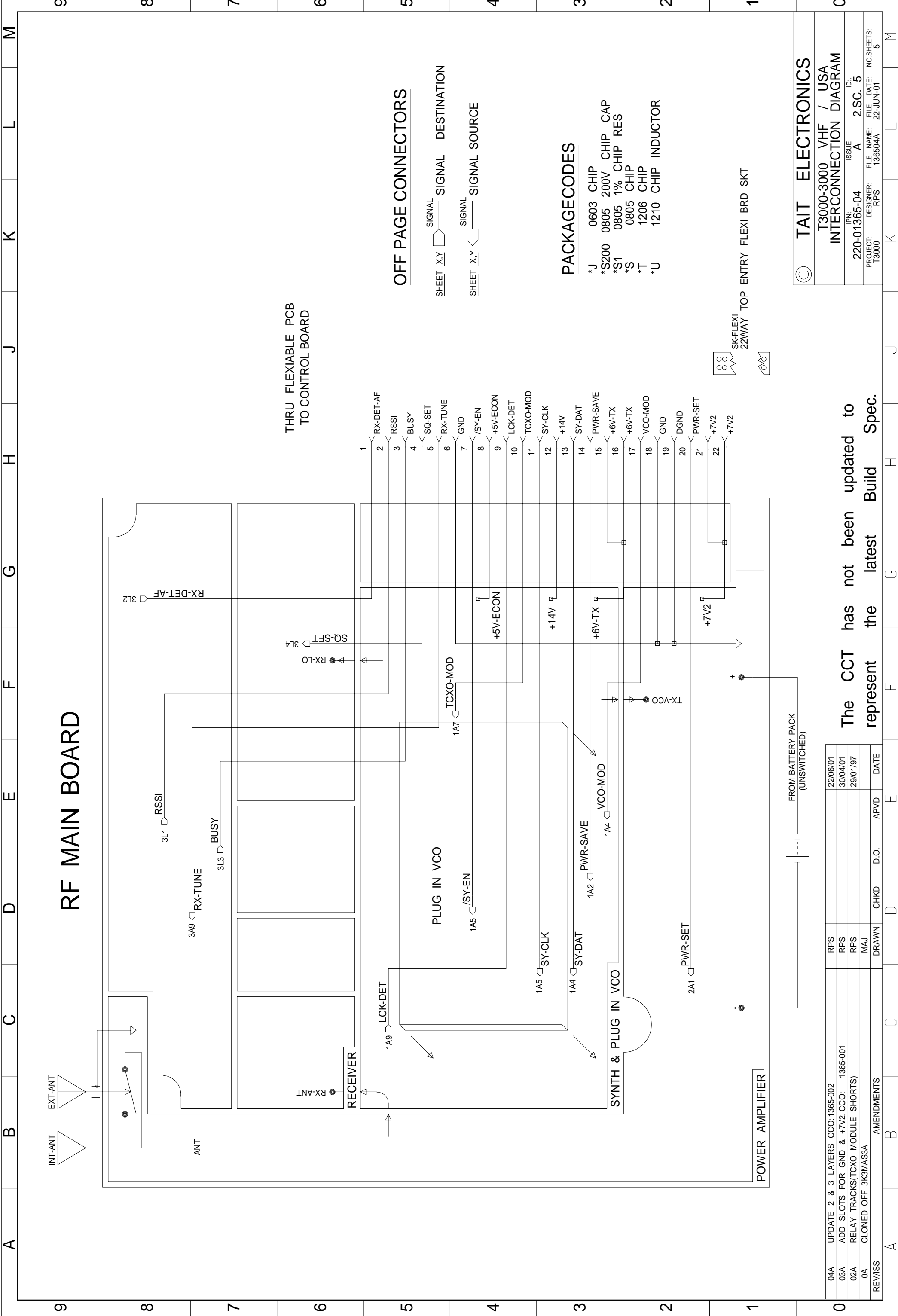
04A	UPDATE 2 & 3 LAYERS CCO:1365-002	RPS	22/06/01
03A	ADD SLOTS FOR GND & +7V2, CCO: 1365-001	RPS	30/04/01
02A	RELAY TRACKS(TCXO MODULE SHORTS)	RPS	29/01/97
0A	CLONED OFF 3K3MASSA	MAJ	
REV/ISS	AMENDMENTS	DRAWN	CHKD
		D.O.	APVD
			DATE

The CCT has not been updated to represent the latest Build Spec.

TAIT ELECTRONICS

T3000-3000 VHF / USA
VARIANT COMPONENTS

IPN: 220-01365-04
ISSUE: A
2.S.C. 4
PROJECT: T3000
DESIGNER: RPS
FILE NAME: 136504A
DATE: 22-JUN-01
NO SHEETS: 5



RF MAIN BOARD

THRU FLEXIBLE PCB
TO CONTROL BOARD

OFF PAGE CONNECTORS



PACKAGE CODES

- *J 0603 CHIP
- *S200 0805 200V CHIP CAP
- *S1 0805 1% CHIP RES
- *S 0805 CHIP
- *T 1206 CHIP
- *U 1210 CHIP INDUCTOR



04A	UPDATE 2 & 3 LAYERS CCO:1365-002	RPS	22/06/01
03A	ADD SLOTS FOR GND & +7V2, CCO: 1365-001	RPS	30/04/01
02A	RELAY TRACKS(TCXO MODULE SHORTS)	RPS	29/01/97
0A	CLONED OFF 3K3MASS3A	MAJ	
REV/ISS	AMENDMENTS	DRAWN	DATE
		CHKD	
		D.O.	
		APVD	

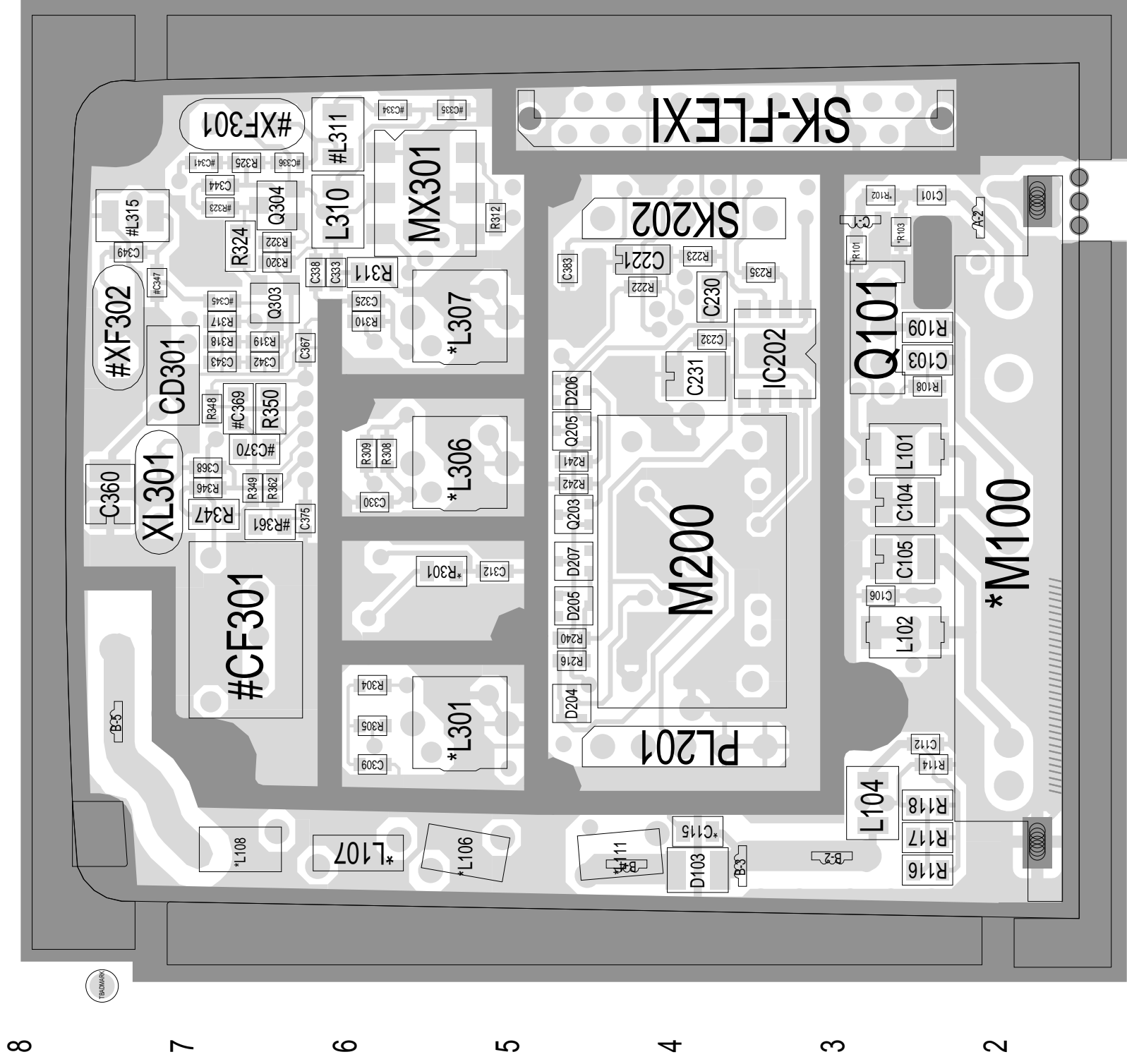
The CCT has not been updated to
represent the latest Build Spec.

© TAIT ELECTRONICS

T3000-3000 VHF / USA
INTERCONNECTION DIAGRAM

IPN: 220-01365-04 ISSUE: A 2.S.C. 5 ID:

PROJECT: T3000 DESIGNER: RPS FILE NAME: 136504A DATE: 22-JUN-01 NO.SHEETS: 5



8

7

6

5

4

3

2

1



A

B

C

D

E

TAIT ELECTRONICS	IPN: 220-01365-04	ISS: A	ID: 4.BA	DATE: 22 Jun 2001
T3K3 USA PCB LAYOUT - BOTTOM SIDE				

Scale:3:1 Rotation: 0 degrees